

THIS DOCUMENT CONTAINS DATA PROPRIETARY TO PROJECTS UNLIMITED, INC. ANY USE OR REPRODUCTION, IN ANY FORM, WITHOUT PRIOR WRITTEN PERMISSION OF PROJECTS UNLIMITED, INC. IS PROHIBITED.
 © 2005, Projects Unlimited Inc.

SPECIFICATIONS

PARAMETERS	VALUES	UNITS
RATED VOLTAGE	24	Vdc
OPERATING VOLTAGE RANGE	9 ~ 30	Vdc
OPERATING TEMPERATURE	-10 ~ +55	°C
HOUSING MATERIAL	ABS	-
TERMINAL	SCREW	-
WEIGHT	155	grams
INGRESS PROTECTION	IP22D	-
COLOR	RED	-

DETAIL "A"

1.	OPEN
2.	CLOSED
3.	N/C
4.	L/H OUTPUT

TONE TABLE		
1234	TONE	SPL/SOUNDER CURRENT
00 0	CONTINUOUS	86dB(A)/3mA
10 0	PULSED	83dB(A)/3mA
01 0	TWO TONE	86dB(A)/3mA
11 0	WHOO	90dB(A)/5mA
00 1	CONTINUOUS	95dB(A)/9mA
10 1	PULSE	92dB(A)/9mA
01 1	TWO TONE	95dB(A)/10mA
11 1	WHOO	97dB(A)/15mA

*SPL TOLERANCE ±3dB(A) ON ALL TONES @ 1 METER

OPTIONAL BEACON VW-05MR-RL

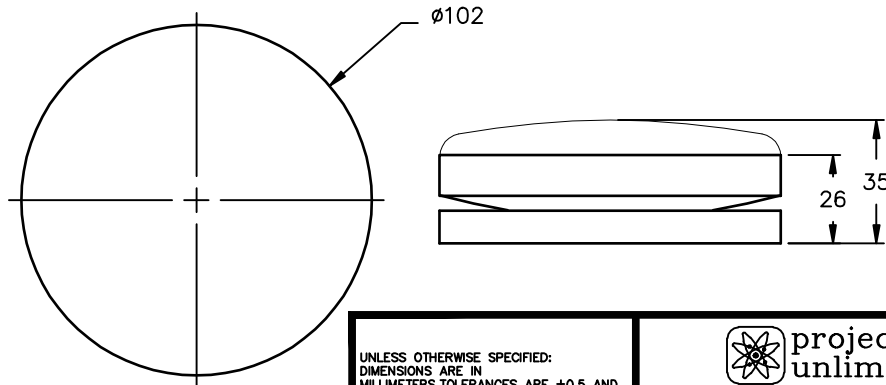
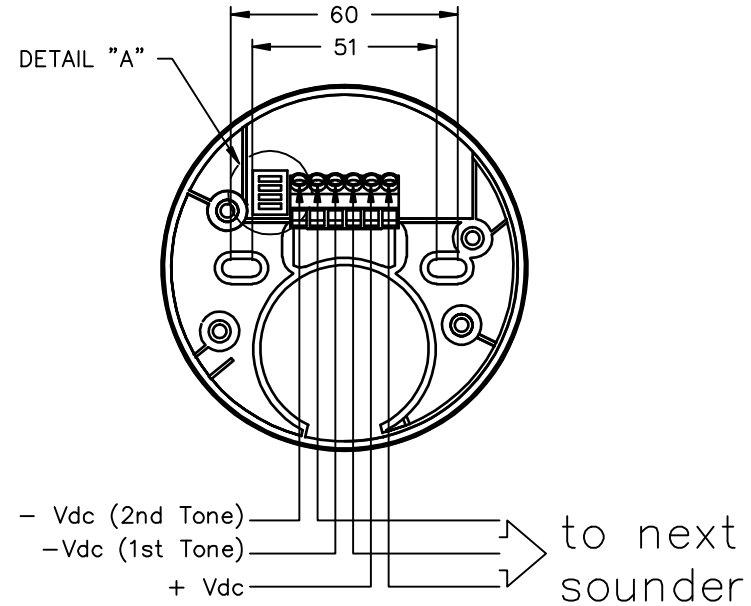
NOTES:

- ALL DIMENSIONS ARE IN MILLIMETERS.
- SPECIFICATION SUBJECT TO CHANGE OR WITHDRAWAL WITHOUT NOTICE.
- THIS PART IS RoHS 2002/95/EC COMPLIANT.

FILE NAME
AW-05MR.DWG

REVISIONS

LTR	DESCRIPTION	DATE	APPROVED
-	RELEASED FROM ENGINEERING	12/6/05	
A	ADDED CONNECTION DIAGRAM	9/5/06	R.W.
B	ADDED RoHS NOTE	5/21/07	R.W.



UNLESS OTHERWISE SPECIFIED:
DIMENSIONS ARE IN MILLIMETERS, TOLERANCES ARE ±0.5 AND ANGLES ARE ±3°.



projects®
unlimited

Dayton, Ohio

SIREN

APPROVALS	DATE
DRAWN J.A.F.	12/05
CHECKED E.P.	12/05
APPROVED B.R.	12/05

SIZE
A

DRAWING NO.
AW-05MR

DO NOT SCALE DRAWING

SCALE: N.T.S.

SHEET 1 OF 1